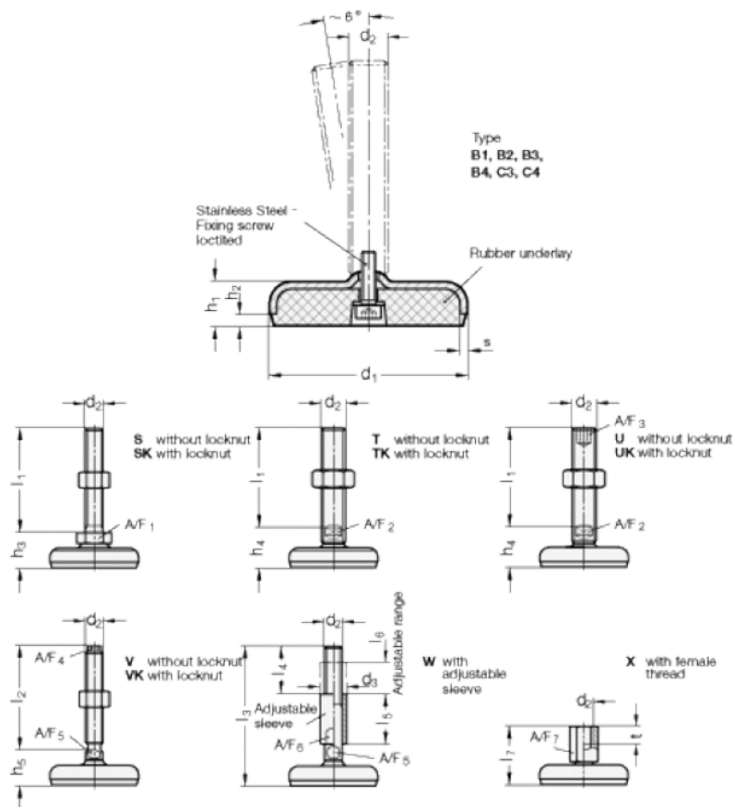


Article number: 203150M1080B1SK
 Description: E+G levelling foot
 GN 31-50-M10-80-B1-SK
 Note: SK With nut, External hexagon at the bottom

Measures



A/F1-	= 17
d1	= 50
d2	= 10
h1	= 14.5
h2	= 3.5
h3 +4.0/0	= 23
l1	= 80
s	= 3